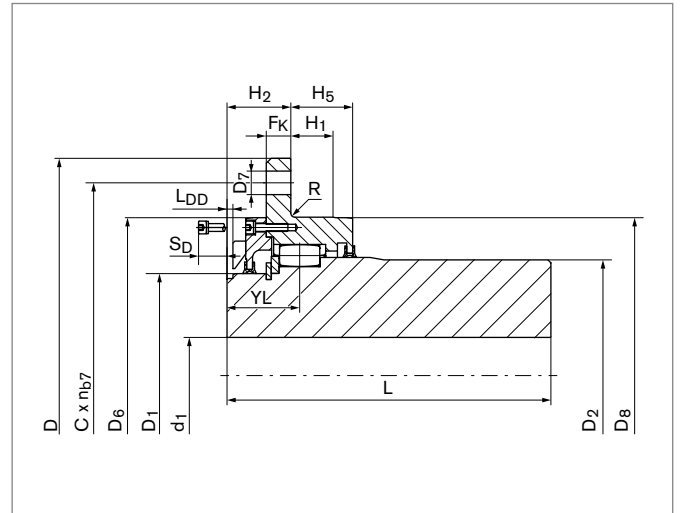
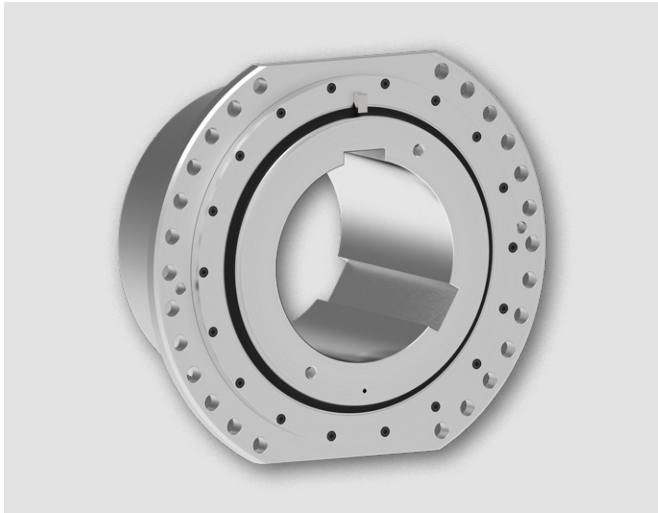


Barrel Couplings

RINGFEDER® TNK TKVO

Performance and Application Optimized Type



Identifier	SEB 666212	Size	T _{Kmax}	F _{rad}	d _{1kmin}	d _{1kmax}	D	D ₂	L	L _{min}	D ₁	D ₆	D ₈	H ₁	R	H ₂	F _K	H ₅	YL
			Nm	N	mm	mm	mm	mm	mm	mm	mm	mm	mm	mm	mm	mm	mm	mm	mm
WG3125	(*)	25	6500	17650	20	70	250	110	95	85	95	159	160	16	2,5	42	12	31	44,0
WG3128	(*)	50	8400	20000	20	80	280	127	100	85	110	179	180	16	2,5	42	12	33	45,0
WG3132	(*)	75	10500	21500	20	90	320	142	110	95	125	199	200	17	2,5	45	15	32	46,0
WG3134	(*)	100	16000	28000	20	100	340	155	125	95	140	219	220	19	2,5	45	15	34	47,0
WG3136	(*)	130	21500	37000	47	115	360	175	130	95	160	239	240	19	2,5	45	15	36	48,0
WG3138	(*)	160	27000	42500	47	130	380	194	145	95	180	259	260	21	2,5	45	15	35	48,0
WG3140	SG130	200	31500	48000	47	145	400	213	170	95	200	279	280	21	2,5	45	15	37	48,0
WG3142	(*)	300	39000	53000	47	160	420	234	175	95	220	309	310	25	2,5	45	15	40	50,0
WG3145	SG140	400	53500	75000	47	190	450	274	185	120	260	339	340	21	2,5	60	20	39	60,5
WG3151	(*)	500	91000	118000	77	215	510	314	220	125	295	399	400	29	2,5	60	20	49	64,5
WG3155	SG185	600	127000	132000	77	225	550	329	240	125	310	419	420	29	2,5	60	20	49	64,5
WG3158	SG200	1000	180000	145000	102	255	580	368	260	130	350	449	450	29,5	2,5	60	20	49,5	65,0
WG3165	SG240	1500	241000	184000	102	305	650	431	315	140	415	529	530	31,5	2,5	65	25	51,5	68,0
WG3166	(*)	2100	360000	283000	102	315	665	458	330	145	430	544	545	43	4,0	65	25	63	74,0
WG3168	SG270	2600	425000	330000	102	325	680	470	350	145	445	559	560	43	4,0	65	25	63	74,0
WG3171	SG315	3400	529000	366000	178	350	710	502	380	165	475	599	600	38	4,0	81	35	63	86,0
WG3178	SG355	4200	660000	420000	208	395	780	566	410	165	535	669	670	40	4,0	81	35	66	87,5
WG3185	SG400	6200	815000	490000	238	440	850	630	450	165	600	729	730	42	4,0	81	35	65	87,5

*Construction and design acc. to operation sheet of German Steel Iron Industry SEB 666212

To continue see next page

Barrel Couplings RINGFEDER® TNK TKVO

Identifier	SEB 666212	Size	C	n _{b7}	d ₇	S (h9/F8)	S _D	G _G	L _{DD}	X _a	J _{sb}	G _{Wsb}
			mm		mm	mm	mm	inch	mm	mm	10 ⁻³ kgm ²	kg
WG3125	(*)	25	220	10	15	220	50	G1/8	5	+/-3	60	13
WG3128	(*)	50	250	10	15	250	50	G1/8	5	+/-3	90	17
WG3132	(*)	75	280	10	19	280	60	G1/8	5	+/-4	170	24
WG3134	(*)	100	300	10	19	300	60	G1/8	5	+/-4	240	32
WG3136	(*)	130	320	10	19	320	60	G1/8	5	+/-4	330	38
WG3138	(*)	160	340	10	19	340	60	G1/8	5	+/-4	450	48
WG3140	SG130	200	360	10	19	360	60	G1/8	5	+/-4	650	64
WG3142	(*)	300	380	10	19	380	60	G1/8	5	+/-4	910	79
WG3145	SG140	400	400	10	24	400	70	G1/4	9	+/-4	1520	108
WG3151	(*)	500	460	10	24	460	70	G1/4	7	+/-6	3090	163
WG3155	SG185	600	500	10	24	500	70	G1/4	7	+/-6	4060	195
WG3158	SG200	1000	530	14	24	530	70	G1/4	7	+/-6	5880	244
WG3165	SG240	1500	600	14	24	580	80	G1/4	7	+/-6	12630	404
WG3166	(*)	2100	615	26	24	590	90	G1/4	6	+/-6	15670	467
WG3168	SG270	2600	630	26	24	600	90	G1/4	6	+/-6	18150	520
WG3171	SG315	3400	660	26	28	640	90	G1/4	10	+/-8	25460	598
WG3178	SG355	4200	730	26	28	700	90	G1/4	10	+/-8	42020	795
WG3185	SG400	6200	800	26	28	760	90	G1/4	10	+/-8	67270	1049

*Construction and design acc. to operation sheet of German Steel Iron Industry SEB 666212

Explanations

T_{Kmax} = Max. transmissible torque of the coupling	D₁ = Outer diameter hub	n_{b7} = Quantity of bore d ₇
F_{rad} = Admissible force radial	D₆ = Outer diameter cover	d₇ = Bore diameter Flange
d_{1kmin} = Min. bore diameter d ₁ with keyway acc. to DIN 6885-1	D₈ = Centering diameter	S (h9/F8) = Distance of the flattening
d_{1kmax} = Max. bore diameter d ₁ with keyway acc. to DIN 6885-1	H₁ = Length	S_D = Disassembly Space
D = Outer diameter flange	R = Radius	G_G = Whitworth thread
D₂ = Outer diameter hub	H₂ = Distance	L_{DD} = Distance dimension
L = Total length	F_K = Flange thickness	X_a = Axial gap max.
L_{min} = Minimum length	H₅ = Distance	J_{sb} = Moment of inertia at smallest bore diameter
	Y_L = Distance	G_{Wsb} = Weight at smallest bore diameter
	C = Pitch circle diameter	

Ordering example

Identifier	Size	d _{1k}
WG3140	200	80

Technical Information

- Without further specifications, we deliver as standard: Bore tolerance H7; Keyway acc. to DIN 6885-1; Keyway width tolerance P9.

Further information on
RINGFEDER® TNK TKVO
 on www.ringfeder.com

Disclaimer of liability

All technical details and notes are non-binding and cannot be used as a basis for legal claims. The user is obligated to determine whether the represented products meet his requirements. We reserve the right to carry out modifications at any time in the interests of technical progress.