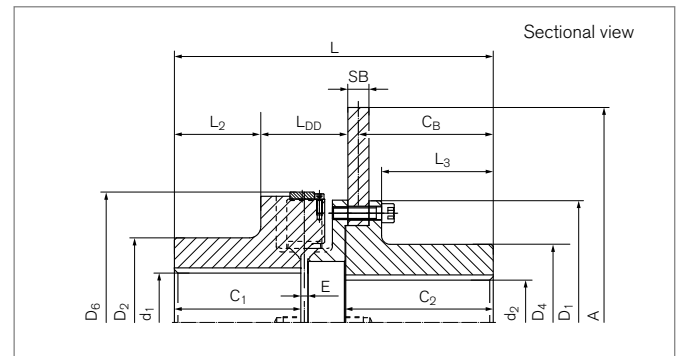
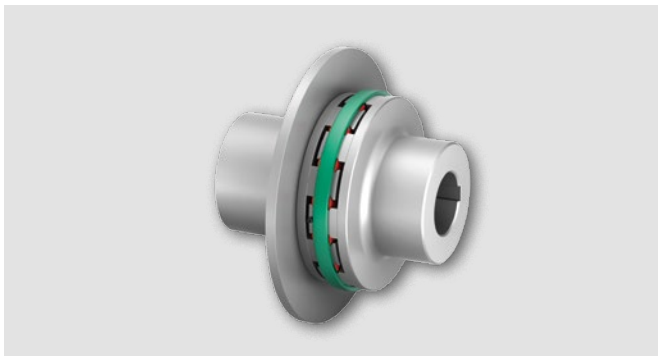


Elastomer Jaw Couplings

RINGFEDER® TNB BHD-BS

Combination of an one-part design and a multi-part design coupling hub with brake disc and Vkr buffer.



Identifier	Size	A	SB	T_{KN^2}	T_{BR}	n_{max}	d_{1kmax}	d_{2kmax}	D_1	D_2	D_4	D_6
		mm	mm	Nm	Nm	1/min	mm	mm	mm	mm	mm	mm
WB0730-0630	300	630	30	6000	18000	2700	135	135	300	210	200	320
WB0735-0710	350	710	30	10500	31500	2400	160	170	350	240	250	370
WB0740-0800	400	800	30	16000	48000	2150	180	190	400	270	280	420
WB0745-0800	450	800	30	21000	63000	2150	200	205	450	300	300	470
WB0750-0900	500	900	30	28500	85500	1900	220	225	500	330	330	530
WB0755-0900	550	900	30	45000	135000	1800	240	240	550	350	350	580
WB0760-1000	600	1000	30	55000	165000	1650	250	265	600	375	385	630
WB0765-1000	650	1000	30	65000	195000	1500	260	265	650	400	385	680
WB0770-1200	700	1200	30	90000	270000	1400	300	310	700	450	450	740
WB0780-1400	800	1400	30	120000	375000	1200	330	340	800	490	490	840
WB0790-1500	900	1500	30	180000	540000	1100	360	400	900	540	590	940

Identifier	Size	C_1	C_2	C_B	L	L_2	L_3	L_{DD}	E	$G_{WBS}^{1)}$	G_{Wub}
		mm	mm	mm	mm	mm	mm	mm	mm	kg	kg
WB0730-0630	300	160	216	198	440	103	165	124	10	142	193
WB0735-0710	350	180	261	243	505	123	210	124	10	210	284
WB0740-0800	400	198	269	251	538	134	216	138	10	276	383
WB0745-0800	450	218	269	251	558	154	216	138	10	299	440
WB0750-0900	500	236,5	309	290	628,5	163	250	160	14	413	601
WB0755-0900	550	256,5	309	290	648,5	183,5	250	160	14	450	684
WB0760-1000	600	258	329	310	675	180	270	170	14	571	857
WB0765-1000	650	286,5	329	309	708,5	202,5	266	182	14	594	951
WB0770-1200	700	327	375	355	804	234	310	200	14	876	1370
WB0780-1400	800	357	395	375	854	264	330	200	14	1136	1788
WB0790-1500	900	407	429	408	944	307	358	214	14	1552	2458

1) Mass information for unbored coupling parts

2) Attention on peak load. See chapter „Elastomer Jaw Couplings RINGFEDER® TNB Basic information“ in Product Paper & Tech Paper „RINGFEDER® Elastomer Jaw Couplings“

To continue see next page

Elastomer Jaw Couplings RINGFEDER® TNB BHD-BS

Explanation

A	= Max. outer diameter	D₁	= Outer diameter	L₂	= Length on the hub
SB	= Disc width	D₂	= Outer diameter hub	L₃	= Length
T_{KN}	= Nom. Transmissible torque	D₄	= Outer diameter hub	L_{DD}	= Distance dimension
T_{BR}	= Brake torque	D₆	= Diameter	E	= Gap width between left and right component
n_{max}	= Max. rotation speed	C₁	= Guided length in hub bore	G_{WBS}	= Weight of part with brake disc, unbored
d_{1kmax}	= Max. bore diameter d ₁ with keyway acc. to DIN 6885-1	C₂	= Guided length in hub bore	G_{Wub}	= Weight, unbored
d_{2kmax}	= Max. bore diameter d ₂ with keyway acc. to DIN 6885-1	C_B	= Brake disc distance		
		L	= Total length		

Ordering example

Identifier	Size	d _{1k}	d _{2k}	Buffer identifier (optional) ³⁾	Further details
WB0755-0900	550	240	200	Pb82	*

³⁾ If a different buffer shore hardness is selected, the values from the corresponding table must be taken into account. See chapter „Elastomer Jaw Couplings RINGFEDER® TNB Basic information“ in Product Paper & Tech Paper „RINGFEDER® Elastomer Jaw Couplings“

⁴⁾ Without any other specification, we deliver as a standard: with set screws and keyway acc. to DIN 6885-1, keyway side fit P9, bore tolerance H7

Further information on
RINGFEDER® TNB BHD-BS
 on www.ringfeder.com

Disclaimer of liability

All technical details and notes are non-binding and cannot be used as a basis for legal claims. The user is obligated to determine whether the represented products meet his requirements. We reserve the right carry out modifications at any time in the interests of technical progress.