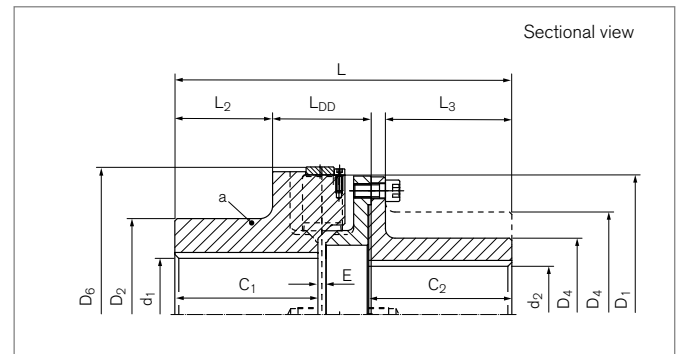
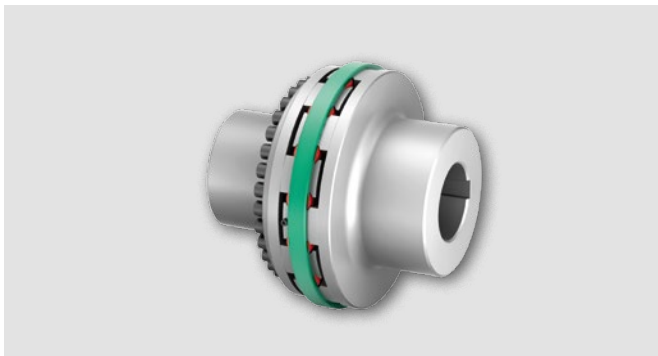


Elastomer Jaw Couplings

RINGFEDER® TNB BHD

Combination of an one-part design and a multi-part design
coupling hub and Vkr buffer



Identifier	Size	T_{KN^2}	n_{max}	d_{1kmax}	d_{2kmax}	D_1	D_2	D_4	D_6
		Nm	1/min	mm	mm	mm	mm	mm	mm
WB0230-A	300	6000	3300	135	110	300	210	170	320
WB0230-B	300	6000	3300	135	135	300	210	200	320
WB0235-A	350	10500	2800	160	120	350	240	180	370
WB0235-B	350	10500	2800	160	170	350	240	250	370
WB0240-A	400	16000	2450	180	140	400	270	210	420
WB0240-B	400	16000	2450	180	190	400	270	280	420
WB0245-A	450	21000	2200	200	170	450	300	250	470
WB0245-B	450	21000	2200	200	205	450	300	300	470
WB0250-A	500	28500	2000	220	180	500	330	270	530
WB0250-B	500	28500	2000	220	225	500	330	330	530
WB0255-A	550	45000	1800	240	200	550	350	280	580
WB0255-B	550	45000	1800	240	240	550	350	350	580
WB0260-A	600	55000	1650	250	235	600	375	330	630
WB0260-B	600	55000	1650	250	265	600	375	385	630
WB0265-A	650	65000	1500	260	250	650	400	350	680
WB0265-B	650	65000	1500	260	265	650	400	385	680
WB0270-A	700	90000	1400	300	260	700	450	370	740
WB0270-B	700	90000	1400	300	310	700	450	450	740
WB0280-A	800	120000	1200	330	320	800	490	450	840
WB0280-B	800	120000	1200	330	340	800	490	490	840
WB0290-A	900	180000	1100	360	340	900	540	480	940
WB0290-B	900	180000	1100	360	400	900	540	590	940

To continue see next page

Elastomer Jaw Couplings RINGFEDER® TNB BHD

Identifier	Size	C ₁	C ₂	L	L ₂	L ₃	L _{DD}	E	G _{wa} ¹⁾	G _{Wub}
		mm	mm	mm	mm	mm	mm	mm	kg	kg
WB0230-A	300	160	160	384	103	139	124	10	51	104
WB0230-B	300	160	186	410	103	165	124	10	51	120
WB0235-A	350	180	180	424	123	159	124	10	74	142
WB0235-B	350	180	231	475	123	210	124	10	74	191
WB0240-A	400	198	190	459	134	167	138	10	107	206
WB0240-B	400	198	239	508	134	216	138	10	107	265
WB0245-A	450	218	200	489	154	177	138	10	141	271
WB0245-B	450	218	239	528	154	216	138	10	141	322
WB0250-A	500	236,5	228	547,5	163,5	199	160	14	188	373
WB0250-B	500	236,5	279	598,5	163,5	250	160	14	188	451
WB0255-A	550	256,5	228	567,5	183,5	199	160	14	234	442
WB0255-B	550	256,5	279	618,5	183,5	250	160	14	234	534
WB0260-A	600	258	258	604	180	229	170	14	286	578
WB0260-B	600	258	299	645	180	270	170	14	286	672
WB0265-A	650	286,5	258	637,5	202,5	225	182	14	357	695
WB0265-B	650	286,5	299	678,5	202,5	266	182	14	357	767
WB0270-A	700	327	298	727	234	263	200	14	494	941
WB0270-B	700	327	345	774	234	310	200	14	494	1105
WB0280-A	800	357	338	797	264	303	200	14	652	1316
WB0280-B	800	357	365	824	264	330	200	14	652	1426
WB0290-A	900	407	338	853	307	297	214	14	906	1695
WB0290-B	900	407	399	914	307	358	214	14	906	2042

¹⁾ Mass information for unbored coupling parts

²⁾ Attention on peak load. See chapter „Elastomer Jaw Couplings RINGFEDER® TNB Basic information“ in Product Paper & Tech Paper „RINGFEDER® Elastomer Jaw Couplings“

To continue see next page

Elastomer Jaw Couplings RINGFEDER® TNB BHD

Explanation

T_{KN} = Nom. Transmissible torque	D₂ = Outer diameter	L₃ = Length
n_{max} = Max. rotation speed	D₄ = Outer diameter	L_{DD} = Distance dimension
d_{1kmax} = Max. bore diameter d ₁ with keyway acc. to DIN 6885-1	D₆ = Diameter	E = Gap width between left and right component
d_{2kmax} = Max. bore diameter d ₂ with keyway acc. to DIN 6885-1	C₁ = Guided length in hub bore	G_{wa} = Weight of subassembly a
D₁ = Outer diameter	C₂ = Guided length in hub bore	G_{wub} = Weight, unbored
	L = Total length	
	L₂ = Length on the hub	

Ordering example

Identifier	Size	d _{1k}	d _{2k}	Buffer identifier (optional) ³⁾	Further details
WB0240-B	400	180	170	Pb82	*

³⁾ If a different buffer shore hardness is selected, the values from the corresponding table must be taken into account. See chapter „Elastomer Jaw Couplings RINGFEDER® TNB Basic information“ in Product Paper & Tech Paper „RINGFEDER® Elastomer Jaw Couplings“

⁴⁾ Without any other specification, we deliver as a standard: with set screws and keyway acc. to DIN 6885-1, keyway side fit P9, bore tolerance H7

Further information on
RINGFEDER® TNB BHD
 on www.ringfeder.com

Disclaimer of liability

All technical details and notes are non-binding and cannot be used as a basis for legal claims. The user is obligated to determine whether the represented products meet his requirements. We reserve the right carry out modifications at any time in the interests of technical progress.