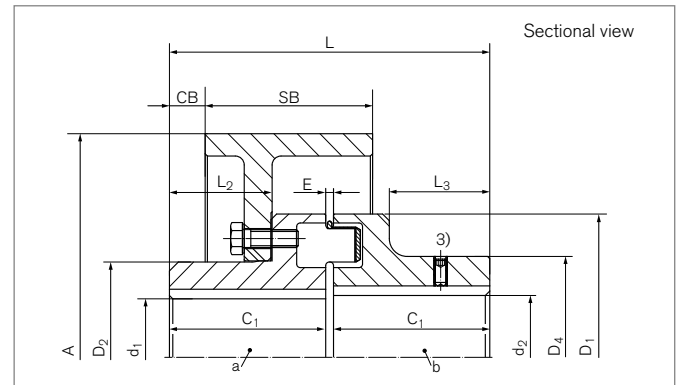
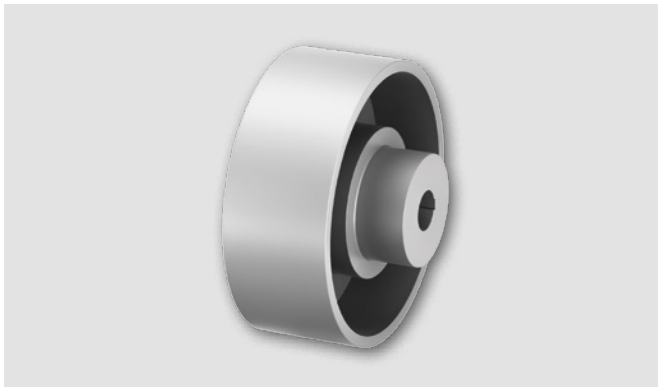


# Elastomer Jaw Couplings

## RINGFEDER® TNM EBT

One part design with brake drum acc. to DIN 15431



Identifier	Size	A	SB	$T_{KNPb72}^{2)}$	$T_{KNPb82}^{2)}$	$T_{BR}^{4)}$	$n_{max}$	$d_{1kmax}$	$d_{2kmax}$	$D_1$	$D_2$	$D_4$	$C_1$
		mm	mm	Nm	Nm	Nm	1/min	mm	mm	mm	mm	mm	mm
WN0511-200	112	200	75	150	230	450	4200	42	48	112	68	79	60
WN0512-200	128	200	75	250	380	550	4200	52	55	128	85	90	70
WN0514-250	148	250	95	390	600	1000	3400	58	65	148	94	107	80
WN0516-250	168	250	95	630	980	1600	3400	72	75	168	118	124	90
WN0516-315	168	315	118	630	980	1600	2700	72	75	168	118	124	90
WN0519-315	194	315	118	1050	1650	2750	2700	85	85	194	138	140	100
WN0521-315	214	315	118	1500	2400	3350	2700	92	95	214	153	157	110
WN0521-400	214	400	150	1500	2400	3350	2100	90	95	214	153	157	110
WN0524-400	240	400	150	2400	3700	4200	2100	102	110	240	168	179	120
WN0524-500	240	500	190	2400	3700	4200	1700	102	110	240	168	179	120
WN0526-500	265	500	190	3700	5800	8700	1700	120	120	265	198	198	140
WN0529-500	295	500	190	4900	7550	9800	1700	130	130	295	214	214	150
WN0529-630	295	630	236	4900	7550	9800	1360	130	130	295	214	214	150
WN0533-630	330	630	236	6400	9900	10600	1360	150	150	330	248	248	160
WN0533-710	330	710	265	6400	9900	10600	1200	150	150	330	248	248	160
WN0537-710	370	710	265	8900	14000	13500	1200	170	170	370	278	278	180
WN0541-710	415	710	265	13200	20500	16000	1200	185	190	415	308	315	200

To continue see next page

### Elastomer Jaw Couplings RINGFEDER® TNM EBT

Identifier	Size	C <sub>B</sub>	L	L <sub>2</sub>	L <sub>3</sub>	E	F <sub>E</sub>	G <sub>WBS</sub> <sup>1)</sup>	G <sub>Wub</sub>
		mm	mm	mm	mm	mm	mm	kg	kg
WN0511-200	112	11	123,5	38,5	38	3,5	+/- 1,0	7,3	9,9
WN0512-200	128	16	143,5	45,5	45	3,5	+/- 1,0	8,9	13,0
WN0514-250	148	16	163,5	52,5	52	3,5	+/- 1,0	14,8	21,1
WN0516-250	168	19	183,5	56,5	56	3,5	+/- 1,5	18,1	27,7
WN0516-315	168	8	183,5	56,5	56	3,5	+/- 1,5	27,2	36,9
WN0519-315	194	16,5	203,5	62,5	62	3,5	+/- 1,5	30,8	44,7
WN0521-315	214	19	224	68,5	68	4	+/- 2,0	36,0	55,0
WN0521-400	214	12,5	224	68,5	68	4	+/- 2,0	51,7	70,8
WN0524-400	240	18	244	75,5	75	4	+/- 2,0	57,7	84,4
WN0524-500	240	9	244	75,5	75	4	+/- 2,0	84,5	111,4
WN0526-500	265	22	285,5	90,5	90	5,5	+/- 2,5	96,6	134,1
WN0529-500	295	30	308	98,5	98	8	+/- 2,5	106,0	153,9
WN0529-630	295	5	308	98,5	98	8	+/- 2,5	159,7	207,5
WN0533-630	330	11	328	104,5	104	8	+/- 2,5	176,7	243,1
WN0533-710	330	0	328	104,5	104	8	+/- 2,5	214,9	281,3
WN0537-710	370	15	368	118,5	118	8	+/- 2,5	242,3	366,2
WN0541-710	415	25	408	135,5	135	8	+/- 2,5	285,8	415,4

1) Weight inclusive the half share of the intermediate ring  
 2) Attention on peak load – see chapter „RINGFEDER® TNM Basic information“ in Product Paper & Tech Paper „RINGFEDER® Elastomer Jaw Couplings“  
 3) Set screw on demand  
 4) Choose brake drum assembly in a way, that brake torque does not affect intermediate ring

### Explanation

<b>A</b> = Max. outer diameter	<b>d<sub>1kmax</sub></b> = Max. bore diameter d <sub>1</sub> with keyway acc. to DIN 6885-1	<b>L</b> = Total length
<b>SB</b> = Disc width	<b>d<sub>2kmax</sub></b> = Max. bore diameter d <sub>2</sub> with keyway acc. to DIN 6885-1	<b>L<sub>2</sub></b> = Length on the hub
<b>T<sub>KNPb72</sub></b> = Coupling nominal torque by using the elastic element Pb72	<b>D<sub>1</sub></b> = Outer diameter	<b>L<sub>3</sub></b> = Length
<b>T<sub>KNPb82</sub></b> = Coupling nominal torque by using the elastic element Pb82	<b>D<sub>2</sub></b> = Outer diameter hub	<b>E</b> = Gap width between left and right component
<b>T<sub>BR</sub></b> = Brake torque	<b>D<sub>4</sub></b> = Outer diameter hub	<b>F<sub>E</sub></b> = Tolerance of the gap width E
<b>n<sub>max</sub></b> = Max. rotation speed	<b>C<sub>1</sub></b> = Guided length in hub bore	<b>G<sub>WBS</sub></b> = Weight of part with brake disc, unbored
	<b>C<sub>B</sub></b> = Brake disc distance	<b>G<sub>Wub</sub></b> = Weight, unbored

### Ordering example

Identifier	Size	d <sub>1k</sub>	d <sub>2k</sub>	Buffer identifier (optional) <sup>5)</sup>	Further details
WN0519-315	194	80	62	Pb82	*

Further information on RINGFEDER® TNM EBT on [www.ringfeder.com](http://www.ringfeder.com)

<sup>5)</sup> Details on elastomer materials see chapter „Introduction“ and „RINGFEDER® TNM Basic information“ in Product Paper & Tech Paper „RINGFEDER® Elastomer Jaw Couplings“

<sup>6)</sup> Without any other specification, we deliver as a standard: with set screws and keyway acc. to DIN 6885-1, keyway side fit P9, bore tolerance H7

### Disclaimer of liability

All technical details and notes are non-binding and cannot be used as a basis for legal claims. The user is obligated to determine whether the represented products meet his requirements. We reserve the right carry out modifications at any time in the interests of technical progress.