

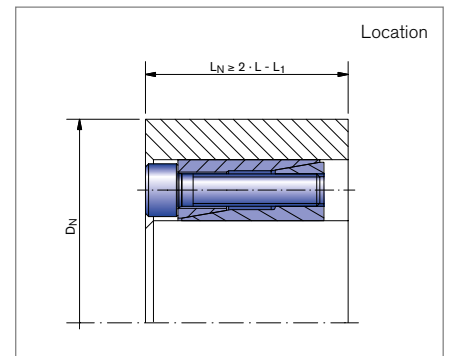
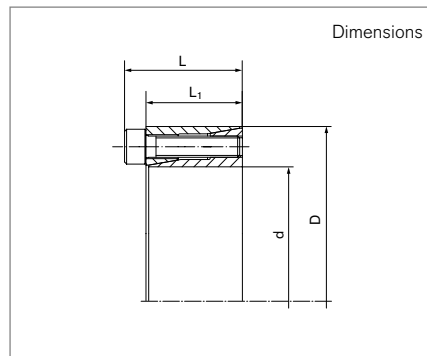
Locking Assemblies

RINGFEDER® RfN 7061

Two piece, self-centering design



self-centering without axial displacement with low surface pressure



Locking Assembly dimensions							Transmissible torques or axial forces		Surface pressure		Locking screws			
d	x	D	d	x	D	L	L ₁	T	F _{ax}	Shaft P _W	Hub P _N	n _{Sc}	D _G	T _A
mm		inch			inch			ft-lbs	lbs	psi				ft-lbs
6	x	16	0.236	x	0.630	0.531	0.433	4	446	21739	7971	3	M2.5	0.9
6.35	x	16	0.250	x	0.630	0.531	0.433	4	446	20290	7971	3	M2.5	0.9
7	x	17	0.276	x	0.669	0.531	0.433	6	446	18116	7971	3	M2.5	0.9
8	x	18	0.315	x	0.709	0.531	0.433	7	558	15942	7246	3	M2.5	0.9
9	x	20	0.354	x	0.787	0.610	0.512	11	669	17391	7971	4	M2.5	0.9
9.53	x	20	0.375	x	0.787	0.610	0.512	11	669	15950	7971	4	M2.5	0.9
10	x	20	0.394	x	0.787	0.610	0.512	11	669	15942	7971	4	M2.5	0.9
11	x	22	0.433	x	0.866	0.610	0.512	13	669	14493	7246	4	M2.5	0.9
12	x	22	0.472	x	0.866	0.610	0.512	15	669	13043	7246	4	M2.5	0.9
14	x	26	0.551	x	1.024	0.787	0.669	26	1116	15217	7971	4	M3	1.5
15	x	28	0.591	x	1.102	0.787	0.669	30	1116	14493	7246	4	M3	1.5
16	x	32	0.630	x	1.260	0.827	0.669	52	1785	18841	9420	4	M4	3.6
17	x	35	0.669	x	1.378	0.984	0.827	55	1785	17391	8696	4	M4	3.6
18	x	35	0.709	x	1.378	0.984	0.827	59	1785	16667	8696	4	M4	3.6
19	x	35	0.748	x	1.378	0.984	0.827	63	1785	15942	8696	4	M4	3.6
20	x	38	0.787	x	1.496	1.024	0.827	111	3347	20290	10870	4	M5	7.2
22	x	40	0.866	x	1.575	1.024	0.827	118	3124	18841	10145	4	M5	7.2
24	x	47	0.945	x	1.850	1.260	1.024	184	4462	20290	10870	4	M6	12.5
25	x	47	0.984	x	1.850	1.260	1.024	192	4462	19565	10870	4	M6	12.5
25.4	x	47	1.000	x	1.850	1.260	1.024	196	4462	18841	10870	4	M6	12.5
28	x	50	1.102	x	1.969	1.260	1.024	325	6693	26812	14493	6	M6	12.5
30	x	55	1.181	x	2.165	1.260	1.024	347	6693	25362	13768	6	M6	12.5
32	x	55	1.260	x	2.165	1.260	1.024	369	6693	23913	13768	6	M6	12.5
35	x	60	1.378	x	2.362	1.457	1.220	538	8925	23913	13768	8	M6	12.5
38	x	65	1.496	x	2.559	1.457	1.220	590	8925	22464	13043	8	M6	12.5
40	x	65	1.575	x	2.559	1.457	1.220	620	8925	21014	13043	8	M6	12.5

To continue see next page

Locking Assemblies RINGFEDER® RfN 7061

Locking Assembly dimensions								Transmissible torques or axial forces		Surface pressure		Locking screws		
d	x	D	d	x	D	L	L ₁	T	F _{ax}	Shaft p _w	Hub p _N	n _{Sc}	D _G	T _A
mm			inch			inch		ft-lbs	lbs	psi				ft-lbs
42	x	75	1.654	x	2.953	1.732	1.417	885	12271	23913	13043	6	M8	30.2
45	x	75	1.772	x	2.953	1.732	1.417	959	12271	22464	13043	6	M8	30.2
48	x	80	1.890	x	3.150	1.732	1.417	1365	16734	28261	16667	8	M8	30.2
50	x	80	1.969	x	3.150	1.732	1.417	1401	16734	26812	16667	8	M8	30.2

More sizes on request

Explanation

d = Inner diameter	T = Transmissible torque at given T _A	n_{Sc} = Quantity of screws
D = Outer diameter	F_{ax} = Transmissible axial force	D_G = Thread
L = Overall length	p_w = Surface pressure on shaft at given T _A	T_A = Tightening torque of the clamping screws
L₁ = Overall length (without screws)	p_N = Surface pressure on hub at given T _A	

Ordering example

Locking assembly	d	D
RfN 7061	0.236	0.630

Technical Information

- Surface finishes: Shaft and hub bores R_a ≤ 1,6 μm
- Tolerances: Shaft: h8 · Hub: H8

Further information on
RINGFEDER® RfN 7061
 on www.ringfeder.com

Disclaimer of liability

All technical details and notes are non-binding and cannot be used as a basis for legal claims. The user is obligated to determine whether the represented products meet his requirements. We reserve the right carry out modifications at any time in the interests of technical progress.